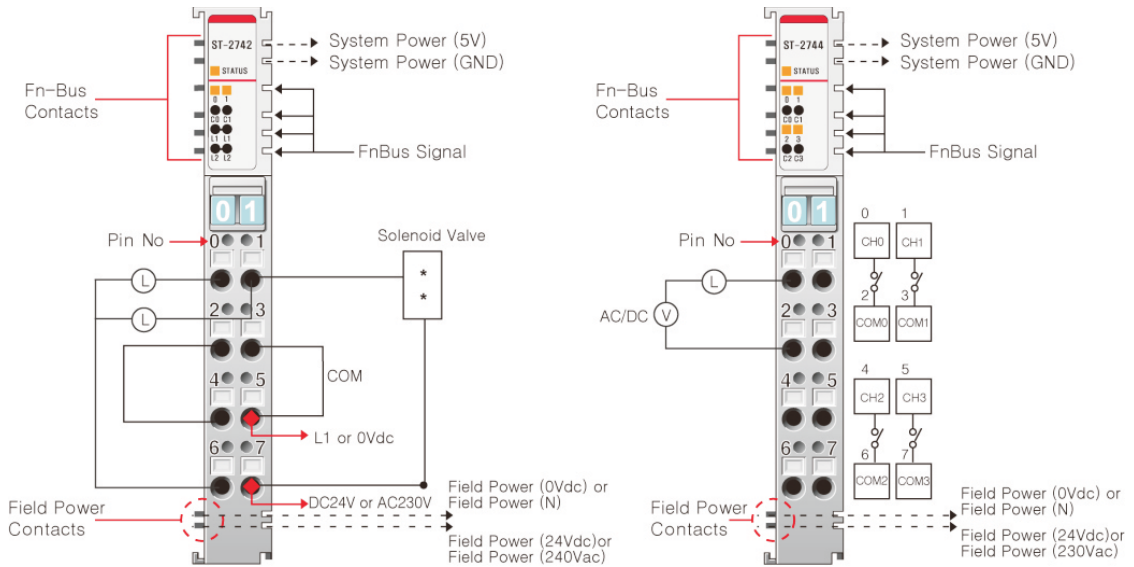


ST-2742, ST-2744

240Vac/2A, 24Vdc/2A, 2/4 Points, Relay



Item	ST-2742	ST-2744
Output Specification		
Outputs Per Module	2 Points	4 Points
Indicators	2 Green Output States, 1 Green/Red Fn-Bus State	4 Green Output States, 1 Green/Red Fn-Bus State
Relay Type	Form A, normally Open Single Pole, Single Throw	
Output Voltage Range (Load Dependent)	5~28.8Vdc @2.0A Resistive 48Vdc @0.8A Resistive 110Vdc@0.5A Resistive 250Vac @2.0A Resistive	
Output Current Rating (at rated power)	2A @5~28.8Vdc 0.8A @48Vdc 0.5A @110Vdc 2A @250Vac	- - - -
Min. Load	100uA, 100mVdc Per Point	
Max. On-state Voltage Drop	0.5V @ 2.0A, Resistive Load, 24Vdc	
OFF-State Leakage Current	Max. 1.5mA	
Output Signal Delay	On to Off : Max. 10ms, Off to On : Max. 10ms	
Initial Contact Res.	30mΩ	20mΩ
Expected Contact	300K Cycles Resistive, 100K Cycles Inductive	
Common Type	1 Points / 1 COM	
General Specification		
Power Dissipation	Max. 65mA @5.0Vdc	Max. 130mA @5.0Vdc
Isolation	I/O to Logic : Photocoupler Isolation	I/O to Logic : Relay Coil/Contact Isolation 1250 Vrms tested
Field Power	Supply Voltage : 24Vdc nominal Voltage Range : 10 ~ 28.8 Vdc	No Connection with Field Power Field Power passes through to the next module
Wiring	I/O Cable Max. 2.0mm(AWG 14)	
Weight	65g	70g
Module Size	12mm x 99mm x 70mm	
Environment Condition	Refer to " Environment Specification"(page : 1-191)	
Pin No.	Description	Description
0	Relay Output Channel 0_A	Output Channel 0_A
1	Relay Output Channel 1_A	Output Channel 1_A
2	Relay Output Channel 0_B	COM 0
3	Relay Output Channel 1_B	COM 1
4	L1 / N / Field Ground (0V)	Output Channel 2_A
5	L1 / N / Field Ground (0V)	Output Channel 3_A
6	L2 Output Field Power (24Vdc / 230Vac)	COM 2
7	L2 Output Field Power (24Vdc / 230Vac)	COM 3
-	-	-
-	-	-
-	-	-